

No.	REVISION	DATE

MR. ALI MADANI & MR.HOSSEIN ASHTIANI
 5 UNIT CONDOMINIUMS at
 1327 EUCLID STR., SANTA MONICA, CA-90404

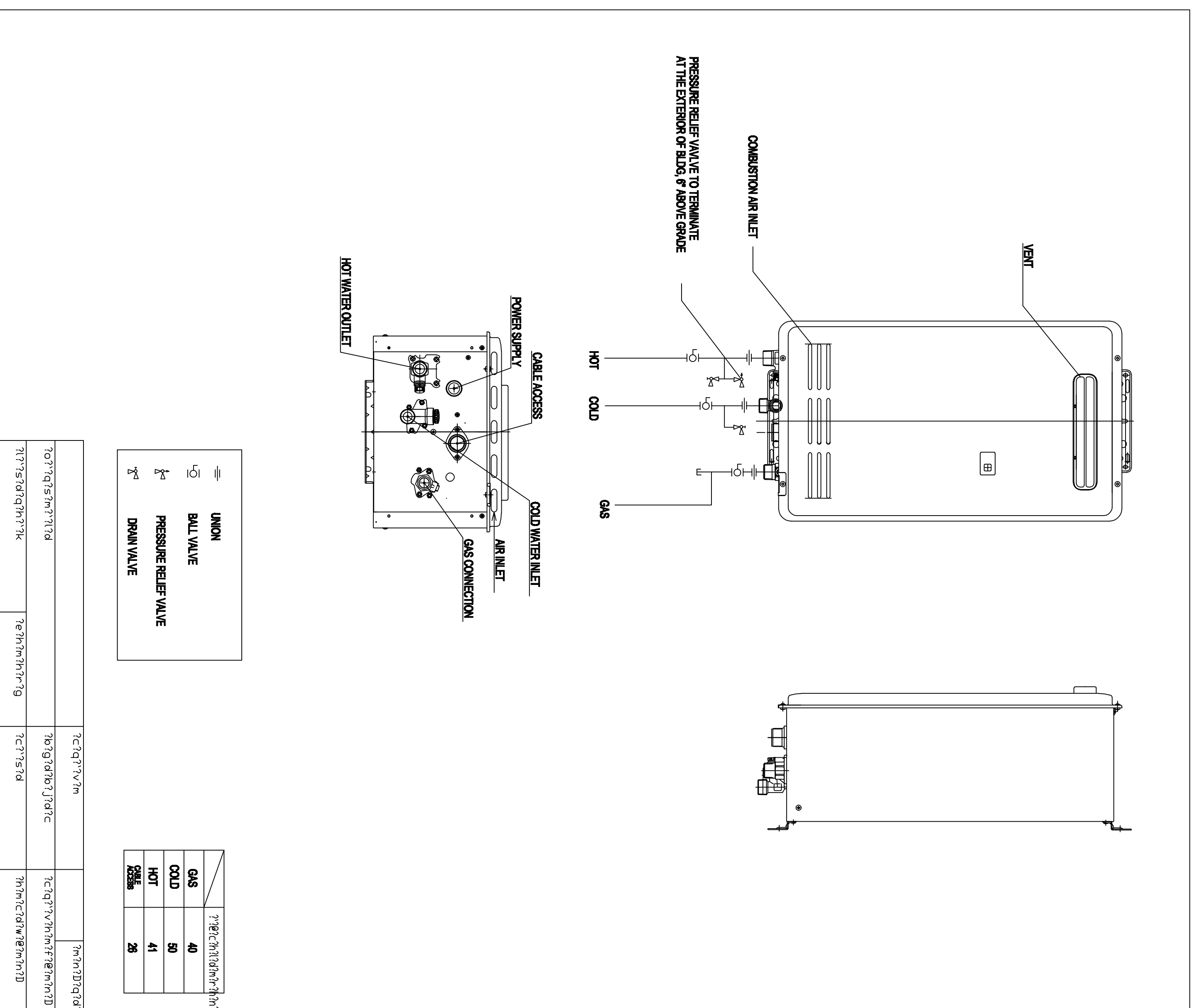
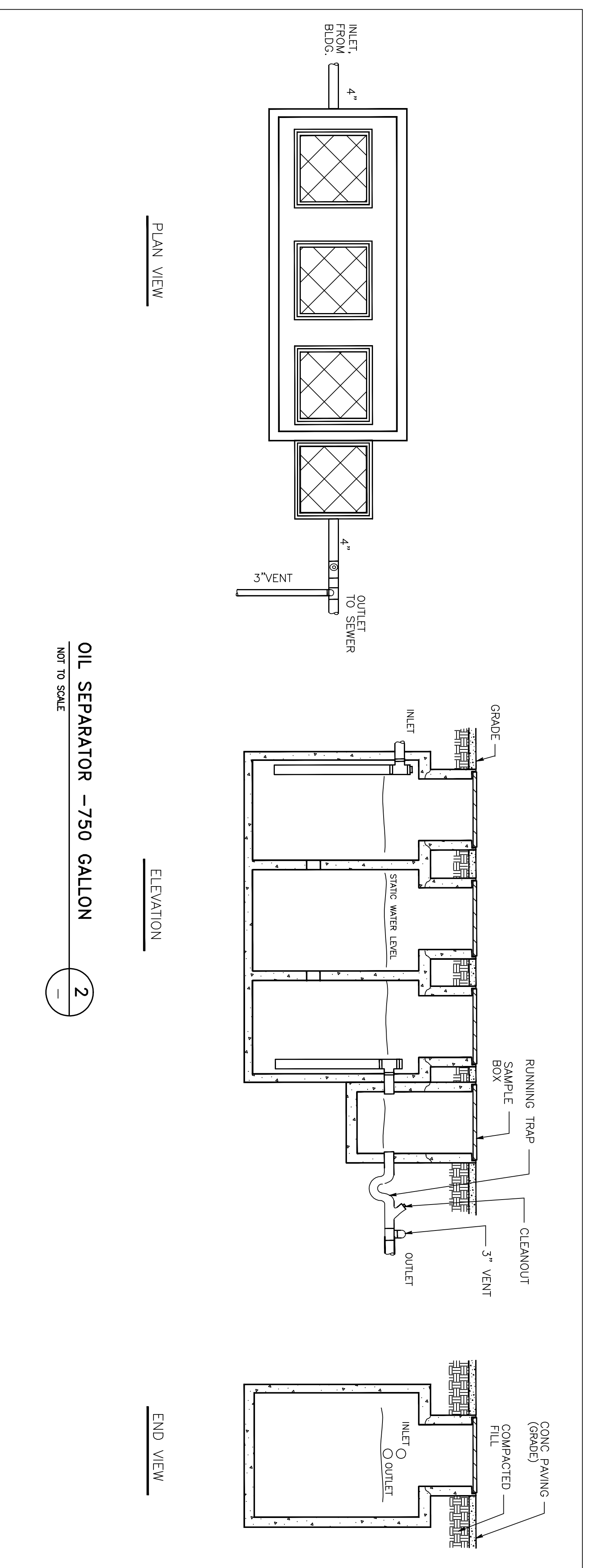
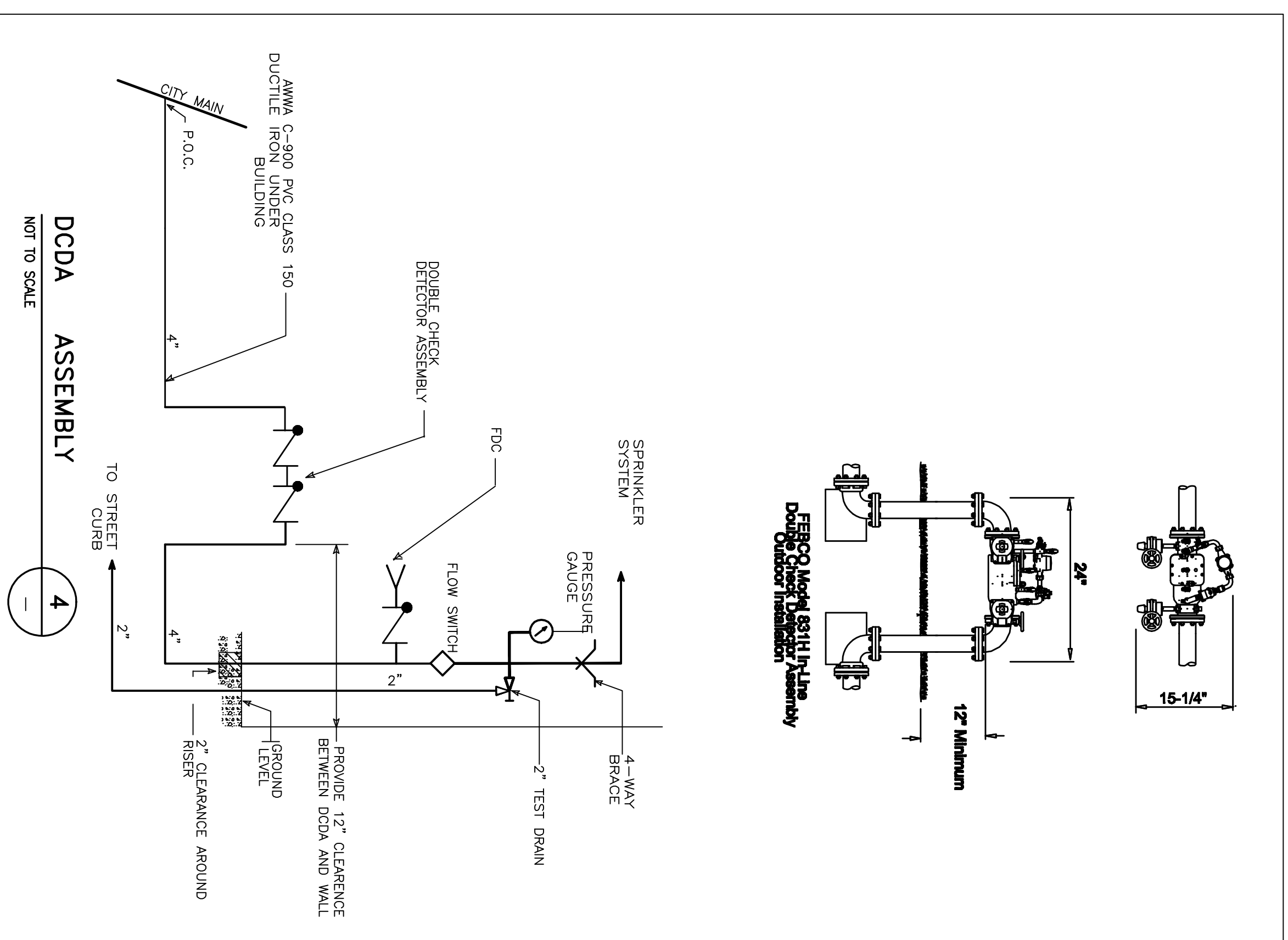
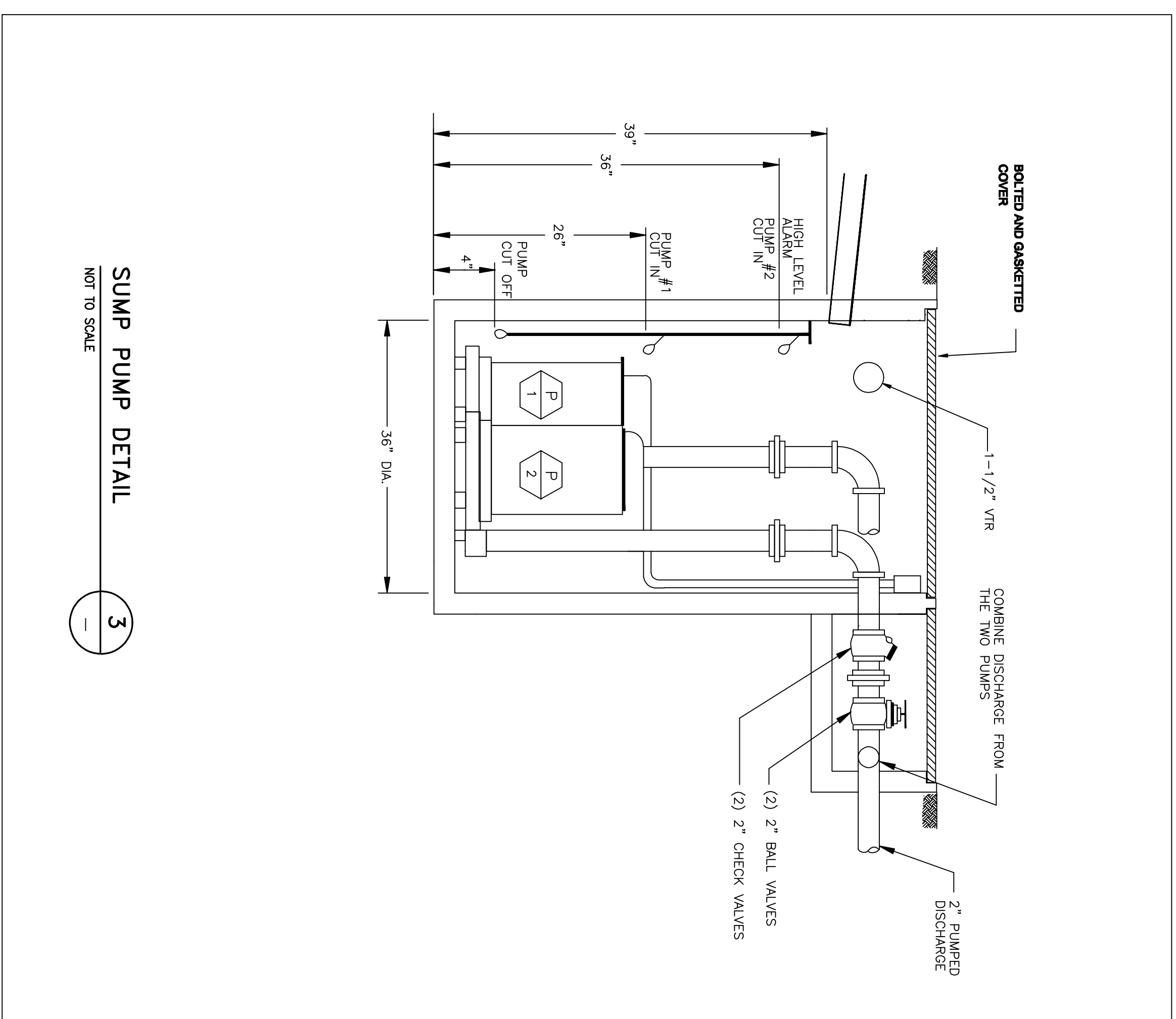
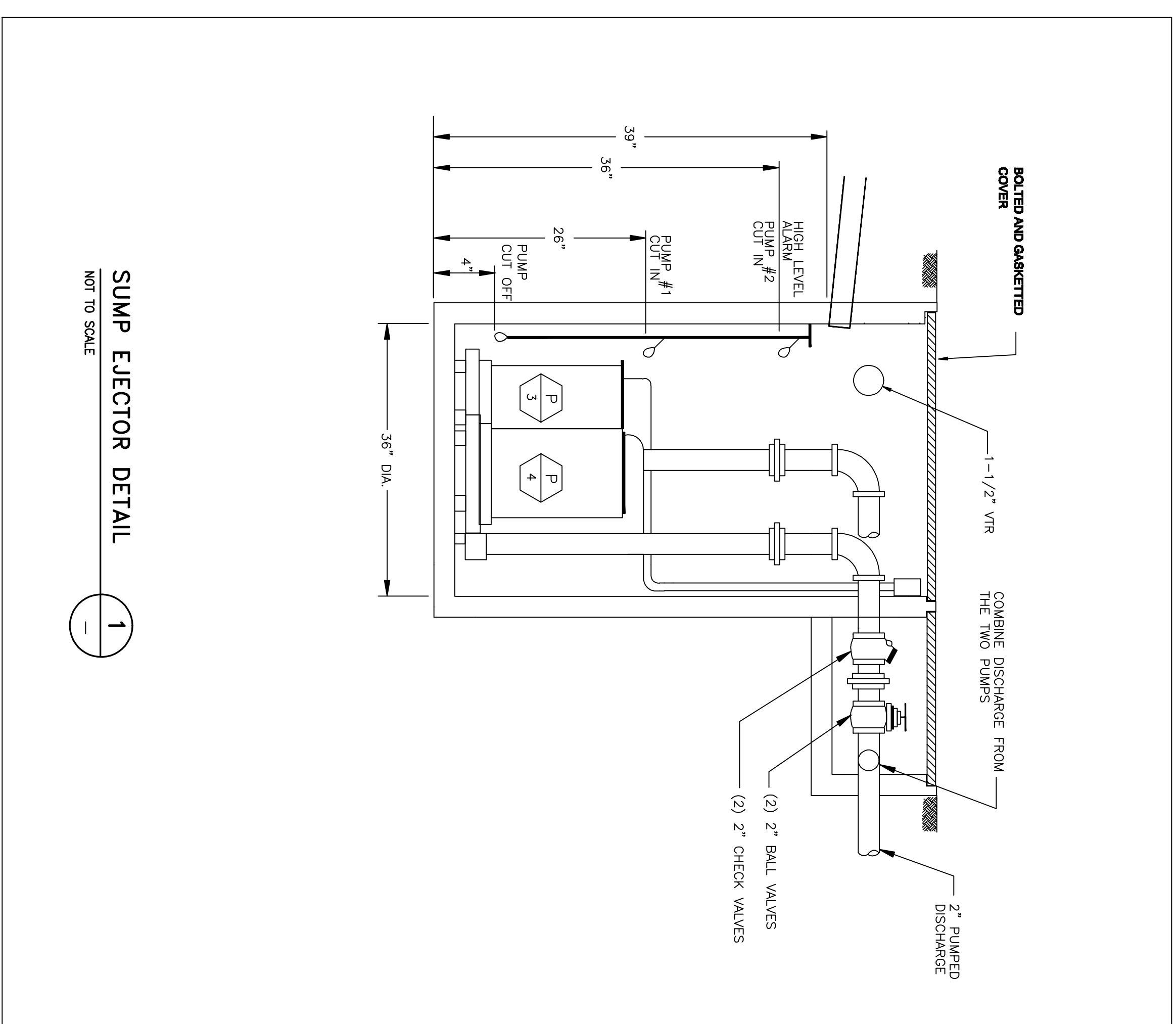


FARZAN ENGINEERING
 1800 BUTLER AVE #305
 W. LOS ANGELES, CA 90025
 Tel. (310) 386 2400; Fax. (310) 479 1565

TITLE
DETAILS

SCALE
 NTS
 DATE
 2-19-07

SHEET NUMBER
P-11



UNION	40
BALL VALVE	50
PRESSURE RELIEF VALVE	41
DRAIN VALVE	28

GAS	40
COLD	50
HOT	41
DRAIN	28

DATE	12/14/07	DATE	12/14/07
SCALE	NTS	SCALE	NTS
SHEET NUMBER	P-11	SHEET NUMBER	P-11